

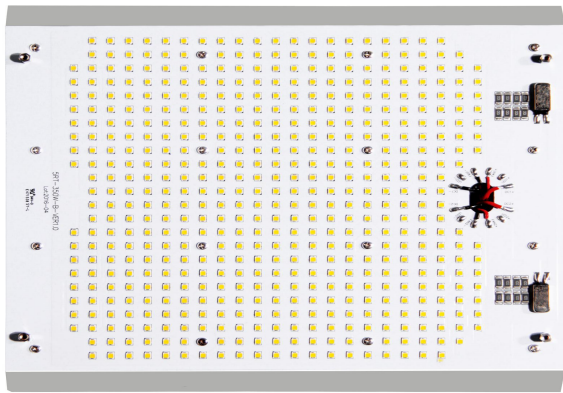
Project Name	
Project #	
Model #	
Type	

FSB-SBSL LED Series

FEATURES & SPECIFICATIONS

The 5th generation LED retrofit kit is an innovative and revolutionary product. It is the most efficient LED retrofit kit, which is perfect for replacing almost all Metal Halide or HPS high wattage lamps. It saves up to 80% in electric, and eliminates your lighting maintenance for 10+ years, by utilizing the highest quality LED chips, drivers, heat sinks, thermal pad, PCB boards, mounting arms etc.

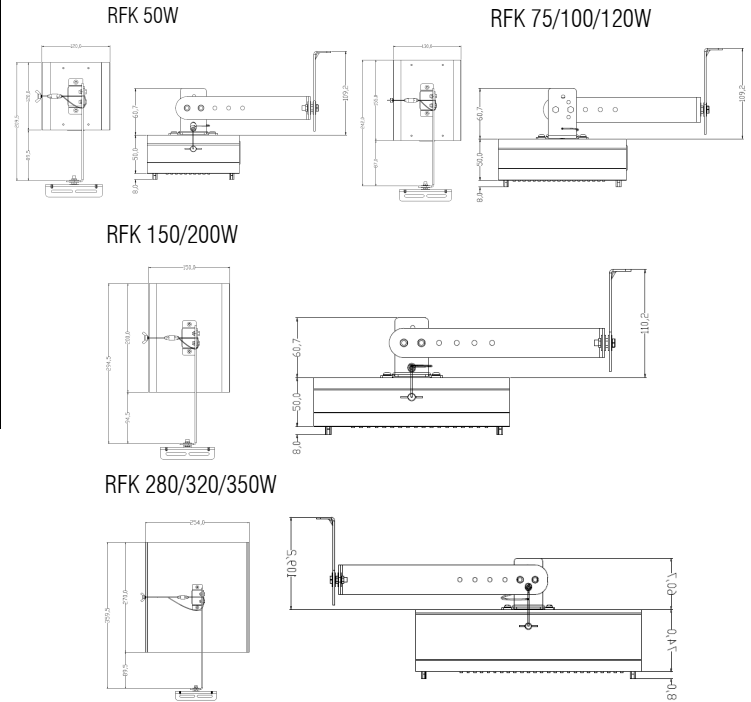
With the innovative mounting arm design, the installation is much easier than before. The 5th generation LED retrofit kits work for many applications including parking lot lights, wall packs, canopies, high bays, street lights, flood lights etc.



Light Distribution: 120°

CRI: >76

Material: Die-cast Aluminum



ORDERING INFORMATION



EX: RFK-U020-200-UNV-50K-DCD-LB

Series	Wattage (Lumens)	Input Voltage	Temperature	Dimming	Options	Mounting	Dist TYPE
1a. RFK-U020	2a. 050 (50W; 6,700lm)	3a. 27V	4a. 30K (3000K)	5a. (Blank)	6a. PC	7a. LB	8a. 120°
	2b. 075 (100W; 10,600lm)	3b. 48V	4b. 40K (4000K)	5a. DCD	6b. MS	7b. FP	
	2c. 100 (100W; 14,300lm)		4c. 45K (4500K)				
	2d. 120 (120W; 17,600lm)		4d. 50K (5000K)				
	2e. 150 (150W; 21,600lm)		4d. 55K (5500K)				
	2f. 200 (200W; 28,900lm)						
	2g. 280 (280W; 39,000lm)						
	2h. 320 (320W; 43,800lm)						
	2i. 350 (350W; 48,800lm)						

Notes:

*If you do not see an option you would like please inquire directly and we will work to accommodate your needs. *

3a. 100-277V input voltage
3b. 347-480V input voltage

5a. leave blank if not needed
5b. 0-10V Dim

6a. Photo Cell** 6b. Motion Sensor **

7a. L. Bracket
7b. Flat Plate

8a. 120° (Standard)

**Specify Voltage 120-277V, 347V or 480V

Please note this specification sheet is considered to be business promotional material and not used for product listing identification purposes

All of the products and specifications can change without prior notice