

Project Name	
Project #	
Model #	
Type	

FTF-TQ (ABS) LED Series

FEATURES & SPECIFICATIONS

The TQ Center Basket series offers the latest technology in LED modules and Dimmable drivers (0 - 10V dimming). The fixtures' modern design and easy installation make it a great lighting option for any commercial application. These models incorporate a center basket polycarbonate shade, which prevents direct eye contact with the LED modules and provides an even light source. BT Basket series models are available in 2' x 2', and 2' x 4' frames and also feature multiple lumen output options.

Installation: These luminaries are for recessed lighting and are perfect for commercial applications.

Rating: Indoor use.

Warranty: 5 years

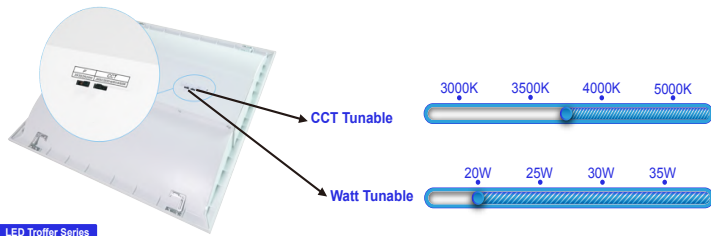
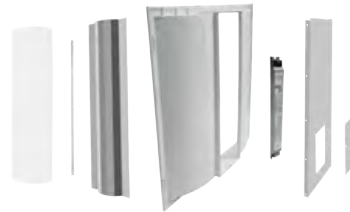
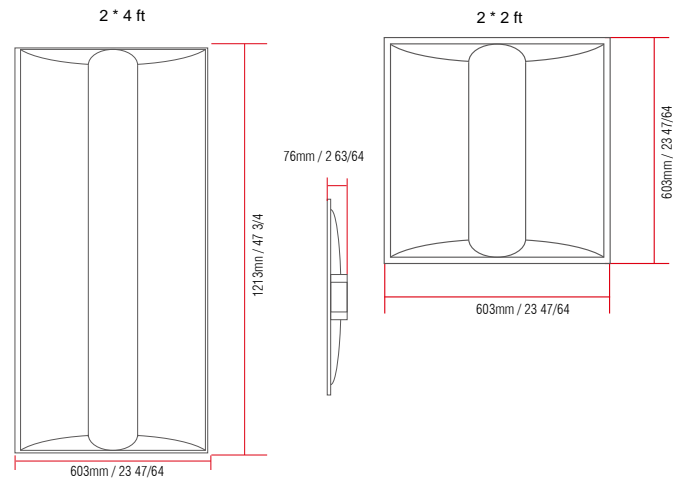
Listings: UL, DLC

LED Life Time: 50,000 hours

CRI: 80

Housing: ABS White Finish with a frosted polycarbonate lens.

Dimensions: (mm / Inch)



Item	N.W.	Carton Size(mm)	Qty	G.W.	Quantity loaded by 20 GP container	Quantity loaded by 40 GP container	Quantity loaded by 40 HQ container
2 x 2 FT	2.3 kg/pc	650x650x180	2pcs/CTN	5.8 kg/CTN	764	1724	2000
2 x 4 FT	3.9 kg/pc	1250x650x180	2pcs/CTN	9.3 kg/CTN	344	842	984



ORDERIN INFORMATION:

EX: FTF-TQ24-050-27V-40K-DCD-EM

Series	Wattage (Lumens)	Input Voltage	Temperature	Dimmable	Battery
1a. FTF-U098-TLC22	2a. 20W/25W/30W/35W 2500lm/3125lm/3750lm/4375lm	3a. 27V	4a. XXK	5a. DCD	6a. (Blank)
1b. FTF-U098-TLC24	2b. 35W/40W/45W/50W 4375lm/5000lm/5625lm/6250lm				6b. EM

Notes:

If you do not see an option you would like please inquire directly and we will work to accommodate your needs.

- 1a. 2 x 2 Available in 2a
- 1b. 2 x 4 Available in 2b
- 2a. 100-277V input voltage
- 3a. 27V
- 4a. CCT Adjustable (Dip Switch) 3000K, 3500K, 4000K & 5000K
- 5a. 0-10V DC Dimming
- 6a. Leave Blank if not required
- 6b. 15W, 90minute EM

All of the products and specifications can change without prior notice

Please note this specification sheet is considered to be business promotional material and not used for product listing identification purposes