

Project Name	
Project #	
Model #	
Type	

Round

FRD-BLS4 / BLS6 Series

FEATURES & SPECIFICATIONS

Description

Interior Dome Lights are designed to reduce targeting and improve design for better quality light. Gentle light comes out after reflected through reflector, to achieve soft lighting without seeing the light source, replaced direct lighting, like a moon hanging on the ceiling. Lights are available with LED Lighting technology and offer a stylish sleek appearance.

Features

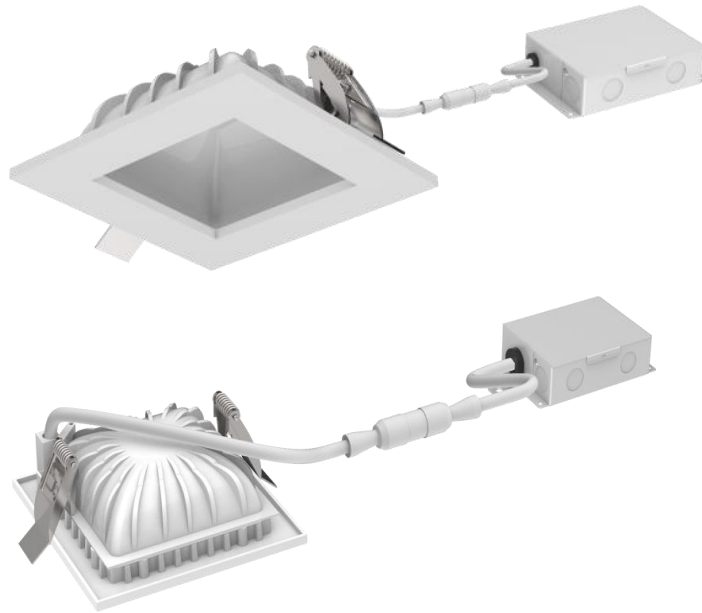
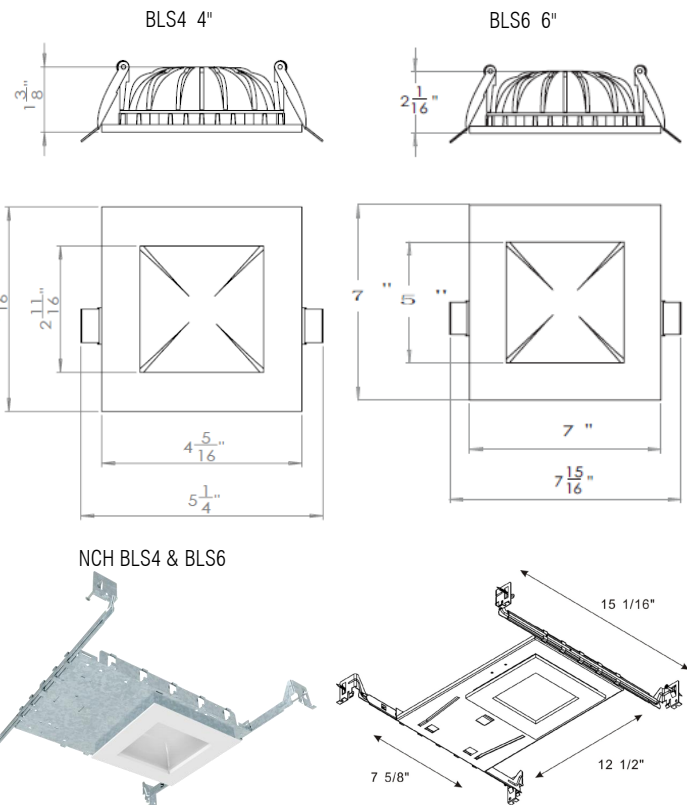
Die cast aluminum body material with good heat dissipation High quality LED provides bright ambient lighting
Higher reflection rate Reflector with nano powder sprayed on surface
New construction is optional, no housing required Trimless design is available
Use FT4 wire with high flame retardant grade
Independent drive junction box, easy to replace
Can be installed in 0.5" to 1.25" thick ceilings
Safe isolated power supply
Flicker free stable dimming, can be compatible with multi brand dimmers

CRI: >80

Lifetime: 50,000 hours minimum

Fixture Body: White powder coated trim with a nano powder reflector, Die Cast Aluminum body.

Dimensions:



ORDERING INFORMATION

EX: FRD-BLS4-008-12V-40K-DM-NCH

Series	Wattage (Lumens)	Input Voltage	Temperature	Dimmable	Mounting Hardware	Finish
1a. FRD-BLS4	2a. 008 (8W; 800lm)	3a. 12V	4a. 30K (3000K)	5a.(Blank)	6a. (Blank)	7a. WH
1b. FRD-BLS6	2b. 014 (14W; 1,400lm)	3b. 27V	4b. 40K (4000K)	5a. DM	6b. NCH	7b. BK
			4c. 50K (5000K)			7c. SN

Notes:

If you do not see an option you would like please inquire directly and we will work to accommodate your needs.

- 1a. 8W only 3a. 120V input voltage 5a. Leave blank if not dimming required. 6a: leave blank if not housing required 7a.White 7b. Black
- 1b. 14W only 3b. 277V input voltage 5b. Triac Dimming. 6b: New Construction Housing 7c. Satin Nickel

All of the products and specifications can change without prior notice

Please note this specification sheet is considered to be business promotional material and not used for product listing identification purposes