

Project Name	
Project #	
Model #	
Type	

FHB-U066-HB03 LED Series

FEATURES & SPECIFICATIONS

Intended Use: The FHB-U066-HB03 series is an excellent choice for powerful and energy efficient high ceiling, indoor lighting. These luminaires use an advanced aluminum heat-sink for maximum quality lighting output with a long life. The finish product has a refined and modern look with efficient LED technology to keep energy costs down while still providing excellent and long lasting lighting.

Installation: These luminaires are ideal for architectural and commercial applications. It is designed for warehouses, workshops, factories, toll stations, supermarkets, exhibition halls, cold storage, gymnasiums, and other high ceiling locations.

IP Rating: Wet Location

Warranty: 5 years

Listing: UL, DLC

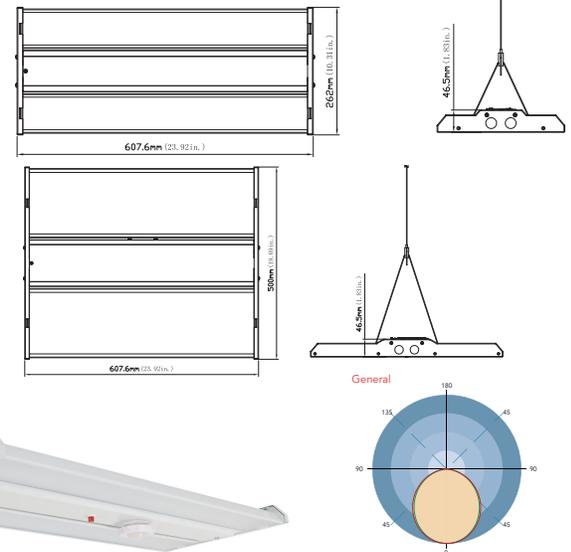
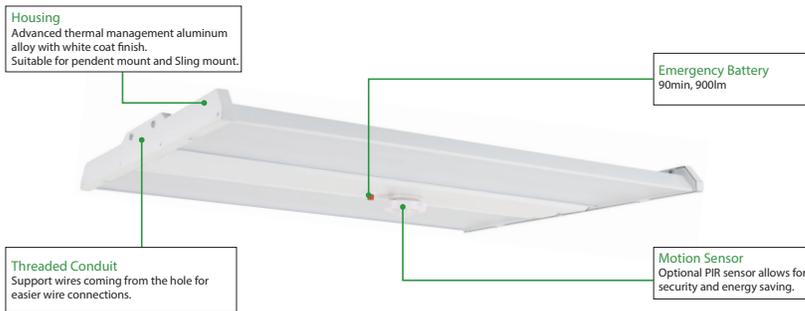
Lifetime: 50,000 hours

CRI: 82

Mounting Hardware Included: 3' Chain & Hooks

Fixture Body: Finished aluminum and white acrylic lens.

Dimensions:



ORDERING INFORMATION

EX: FHB-HB66-200-27V-50K-FR-DCD-MW-EM

Series	Wattage (Lumens)	Input Voltage	Temperature	Diffuser	Dimming	Sensor	Battery
1a. FHB-U066-HB03	2a. 090 (90W; 12,600lm)	3a. 27V	4a. 40K (4000K)	5a. CL	6a. (Blank)	7a. (Blank)	8a. (Blank)
	2b. 130 (130W; 18,500lm)		4b. 50K (5000K)	5b. FR	6b. DCD	7b. DL	8a. EM
	2c. 180 (180W; 24,500lm)					7c. MW	

Notes:

If you do not see an option you would like please inquire directly and we will work to accommodate your needs

1a. 120° Lens Standard
3a. 100-277V input voltage
5a. Clear diffuser 5b. Frosted Dissuser5c.

6a. Leave Blank if no Dimming Required
6b 0-10V DC
7a. Leave blank if not required
7b Day Light Sensor

7c. Microwave Sensor
8a. Leave blank if not required
8a. 90 minute EM mode @ 2,160lm

All of the products and specifications can change without prior notice

Please note this specification sheet is considered to be business promotional material and not used for product listing identification purposes

1834 NW 21st STREET MIAMI, FL 33142 | PHONE – 786.420.3600 | FAX – 786.420.3602 | SPECTRASOL-US.COM