

Project Name	
Project #	
Model #	
Type	

## FEM-U062-EMH LED EM Driver Series

### FEATURES & SPECIFICATIONS

#### PRODUCT DESCRIPTION

The EMH LED emergency drivers are UL Listed for factory or field installation, unrivaled emergency solutions for LED product with internal driver. It allows the same LED luminaire to be used for normal and emergency operation and works in conjunction with an AC LED driver that convert new or existing LED fixtures into emergency lighting. The Linear and slim profile is ideally for a narrow, galvanized steel enclosure for installations with limited compartment space. Such as 8w driver for 2FT fluorescent troffer fixture and 16w for the 4FT one. It adopt a long-life recyclable Lithium battery, and are backed by a 5-Year Warranty. It is available in a variety of wattage, providing solutions for 8, 16 and 25 watt applications.

#### OPERATION

When AC power fails, The EMH Series emergency LED driver immediately switches to the emergency mode, operating the LEDs at a reduced lumen output for a minimum of 90 minutes. When AC power is restored, the emergency driver automatically returns to the charging mode.

#### SELF-TESTING

Equipped with self-testing functionality.

Dimensions	L	W	H
EM-H08170-XX	14.80"	2.13"	1.38"
EM-H16170-XX	17.14"	2.13"	1.38"
EM-H25170-XX	17.14"	2.13"	1.57"



#### SELF-TESTING

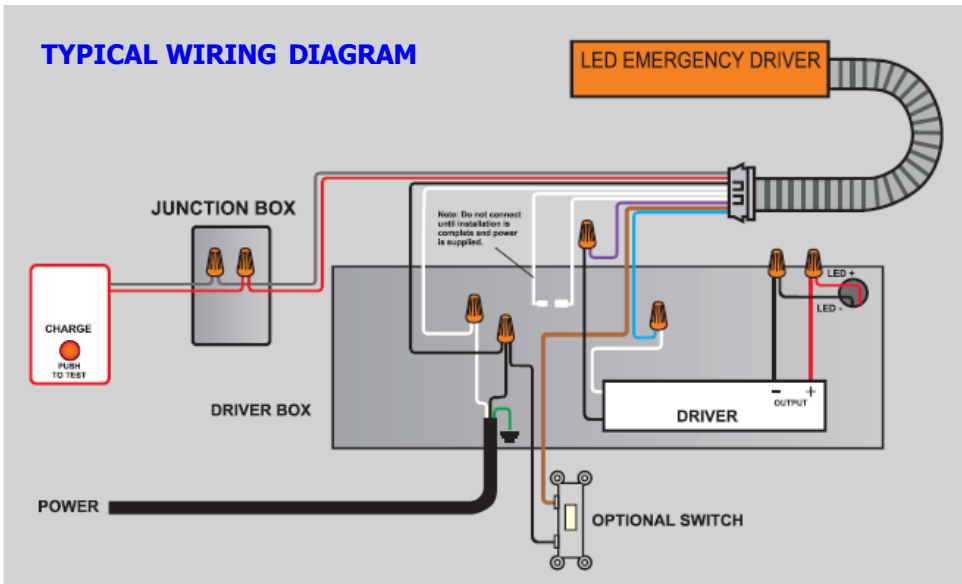
New version UL listed EM are equipped with self-testing functionality.

##### • Initial Self-test after installation

It will perform a functional test of 3 seconds after the EM installed and all powered, in which the wiring and battery output are checked. In case of a failure or an error, the indicator LED will be off or flicker.

##### • Monthly Self-Test

It will automatically perform a test every 30 days with a duration of 3 seconds, in which the wiring and battery output are checked. In case of a failure or an error, the indicator LED will be off or flicker.



## ORDERING INFORMATION

## EX: FEM-U062-EMH25170

Series	Wattage	Input Voltage	Output Voltage	EM Time	Operating Temp	Input Current	Input Power	Recharge Time
FEM-U062-EMH08170	8(8W)	120-277V	170VDC	90 Minutes	0° to 50° C	35 mA (Max)	5W (Max)	24 Hrs
FEM-U062-EMH16170	16(12W)					50 mA (Max)	6W (Max)	36 Hrs
FEM-U062-EMH25170	25(25W)					60 mA (Max)	8W (Max)	36 Hrs

Notes:

\*If you do not see an option you would like please inquire directly and we will work to accommodate your needs

\*All of the products and specifications can change without prior notice\*

\*Please note this specification sheet is considered to be business promotional material and not used for product listing identification purposes\*