

Project Name	
Project #	
Model #	
Type	

FRD-U115-CCT5 Series LED Series

FEATURES & SPECIFICATIONS

Intended Use: The FRD-8S / 8R series of LED flush down-light is an excellent choice for sleek modern new construction applications in which both style and energy efficiency are required. They are an excellent choice for offices, hospitals, classrooms, shopping centers, homes, and other commercial applications requiring low-lighting power density. These LED lights are a superior replacement to typical fluorescent lighting products because of their increased efficiency, longer life, and offer an elegance unmatched by any fluorescent products.

Installation: These luminaries are ideal for new construction flush lighting or retrofit applications.

Listings: UL & cUL

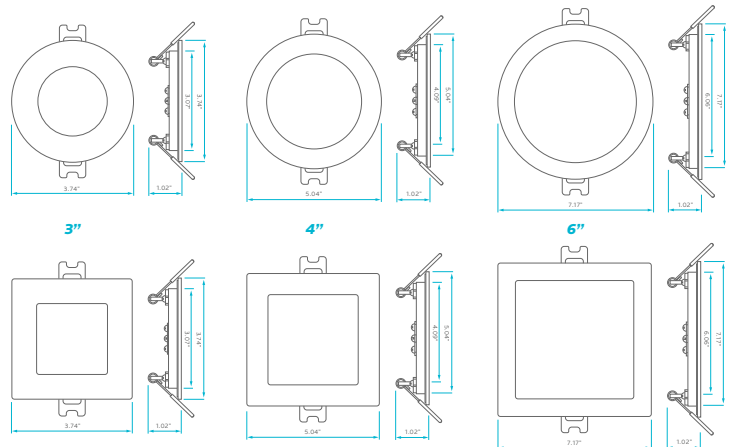
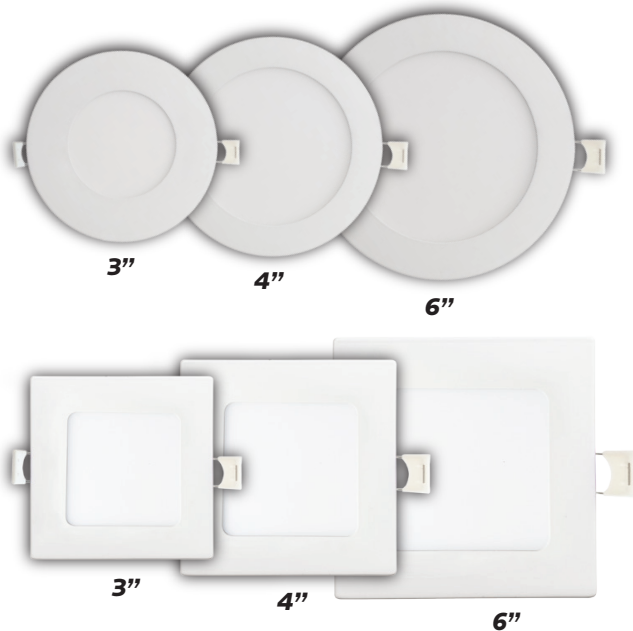
CRI: 80

View Angle: 100°

Lifetime: 50,000 hours

Fixture Body: Powder coated aluminum trim with a frosted polycarbonate lens.

Dimension:



ORDERING INFORMATION EX: FSM-U115-S4-010-USV-40K-ACD-WH

Series	Wattage (Lumens)	Input Voltage	Temperature	Dimmable	Finish	Mounting Hardware
1a. FRD-U115-8R	2a. 025(25W; 2,200lm)	3a. USV	4a. 27K (2700K)	5a. ACD	6a. WH	6a. (Blank)
1b. FRD-U115-8S			4a. 30K (3000K)		6b. BK	6b. CLP
			4b. 40K (4000K)		6c. NK	
			4c. 50K (5000K)			

Notes:

If you do not see an option you would like please inquire directly and we will work to accommodate your needs.

- 1a. 4" Square Model 3a. 120V 50/60Hz 5a. Triac Dimming 6a. White 7a. Leave Blank for box
- 1b. 5" Round Model 6b. Black 7b. Can Hardware
- 6c. Nickel

All of the products and specifications can change without prior notice

Please note this specification sheet is considered to be business promotional material and not used for product listing identification purposes