

Project Name	
Project #	
Model #	
Type	

FWP-YU083-AL01 LED Series

PRODUCT DESCRIPTION

Properly lit trailers at the loading dock play an important role in keeping workers safe, plus OSHA standard 1910 requires loading docks to be lighted. A heavy-duty and flexible light design is needed to withstand the harsh loading dock environment and to improve the inadequate lighting conditions inside trailers.

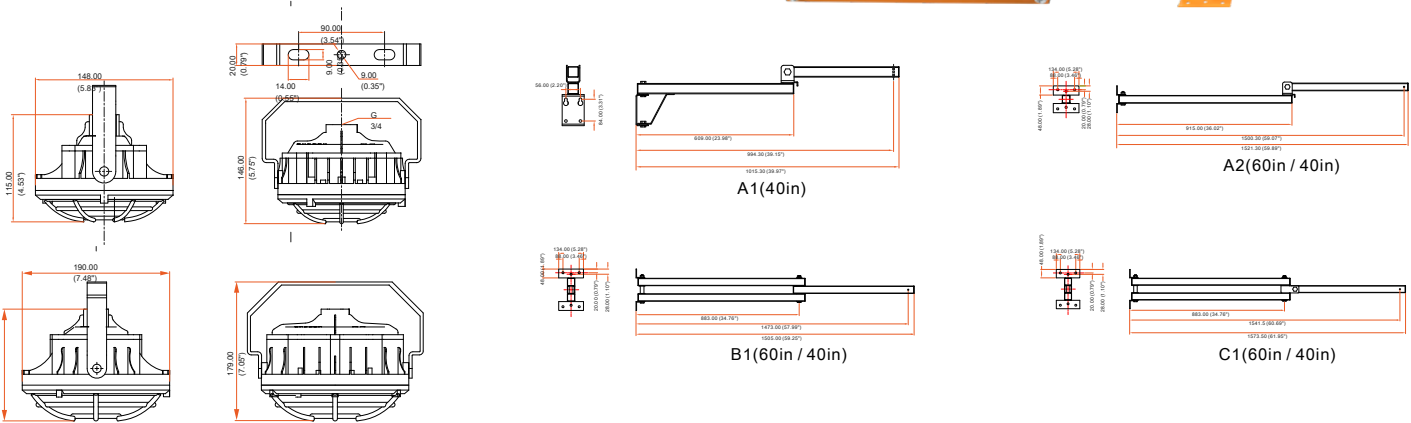
Enhance productivity, safety and energy efficiency at your loading dock with one of these dock light options

Loading Dock Light is impact resistant (plus protective cover) and cool to the touch all day long. Optional spring arm helps protect from overhead door and fork truck impacts. And its features is durable exterior, which holds up to the toughest work environments. Perfect light directly on target where you need it. Fixtures come standard in "safety yellow" color for maximum visibility. Attaches directly to standard dock light arms for easy retrofit.

FEATURES & SPECIFICATIONS

SPECIFICATIONS/FEATURES

- » Optimum brightness for entire length of trailer
- » Warranted 70% light output for 50,000 hours!
- » Built-in heat dissipation - always cool to the touch
- » "Go Green" product solution with energy rebate potentials
- » Housing made of die-cast aluminum
- » Eliminates light bulb replacement and/or clean-up
- » Kit minimizes installation time by reusing existing arms
- » Minimum life of 50,000 hours
- » Heavy duty 14 gauge, 1 1/2" (38 mm) square steel arms
- » Safety yellow, power coated finish
- » CRI >80Ra
- » 5 year limited warranty
- » Operating temp -20 to 45 °C
- » Storage temp -30 to 60 °C
- » Working humidity 30% to 90%
- » Storage humidity 10% to 90%
- » Non-corrosive environments



ORDERING INFORMATION

EX: FDL-U083-AL01-020-27V-50K-A2-Y

Series	Wattage (Lumens)	Input Voltage	Temperature	ARM	Finish
1a. FDL-U083-LA01	2a. 020 (20W; 1,800lm)	3a. 27V	4a. 30K (3000K)	5a. A1 (40in)	6a. Y
	2b. 030 (30W; 2,700lm)		4b. 40K (4000K)	5b. A2 (40in/60In)	
	2c. 040 (40W; 3,600lm)		4c. 40K (5000K)	5c. B1 (40in/60In)	
	2d. 050 (50W; 4,500lm)			5d. C1 (40in/60In)	

Notes:

If you do not see an option you would like please inquire directly and we will work to accommodate your needs.

3a. 100 - 277V input voltage 5a. 40" Arm 5b. 40"/60" Arm 5c. 40"/60" Arm 5d. 40"/60" Arm 6a Yellow

All of the products and specifications can change without prior notice

Please note this specification sheet is considered to be business promotional material and not used for product listing identification purposes